



## Excellent manoeuvrability in the tightest spaces

- Compact size with 1.5 m width
- 2m stowed height can pass through a standard doorway
- 130° (+65°/-65°) fly jib range of motion
- Tight turning radius (3,9m)

## Optimal productivity and comfort

- 8.65 m outreach
- Long working cycles
- Full proportional controls

## Robust, reliable and easy to maintain





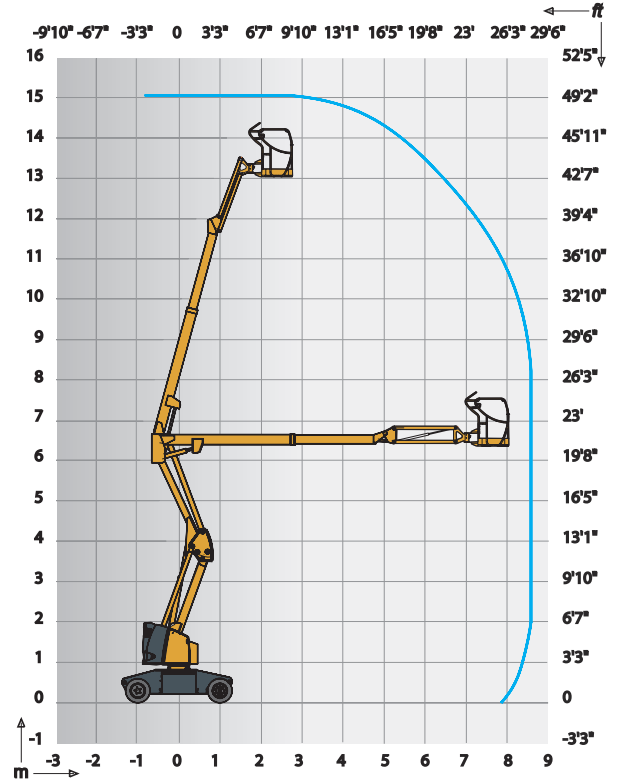
# HA15 IP

## ELECTRIC ARTICULATING BOOMS

### TECHNICAL DATA

### HA15 IP

Working height	14.87 m
Platform height	12.87 m
Horizontal outreach	8.65 m
Up and over clearance	6.25 m
Lift capacity	230 kg
Vertical jib rotation	130° (+65/-65)
<b>A</b> Length	6.65 m
<b>B</b> Width	1.52 m
<b>C</b> Height - stowed	2.1 m
Height - transport	3.02 m
<b>D</b> Wheelbase	2 m
<b>E</b> Ground clearance	14 cm
<b>F</b> x <b>G</b> Platform size	1.15 x 0.8 m
Tailswing	0 cm
Proportional drive speed	0.7 - 4.5 km/h
Turning radius - outside	3.95 m
Turntable rotation	355°
Platform rotation	180° (+90/-90)
Energy	48 V - 345 Ah (C5)
Gradeability	25 %
Tyres - non marking	23x10-12
Hydraulic system capacity	30 l
Weight	7 230 kg



### STANDARD EQUIPMENT

- Semi-traction battery
- Battery charge indicator
- 48 V – 50 A battery charger
- Sensitive control box
- 3° Tilt alarm
- Non marking tyres
- Outside / inside use: wind rated to 45 km/h
- Brake release
- Hourmeter
- Slewing block pin
- Towing hooks and lifting eyes
- Emergency hand pump
- 2 wheel drive and steer
- Load limiter in cage
- Horn

### OPTIONS AND ACCESSORIES

- Flashing light
- Power to platform
- Travel alarm
- Centralised battery filling
- 360 Ah traction batteries
- Waterproof batteries
- Air line to cage
- Electric remote brake release
- Biodegradable oil
- Large basket option (1,5m x 0,8m)

